












GUIDING ELEMENTS (DIN)
BLUEline

MDL

OCTOBER 2017

■ Compatibility to DIN standard and Easyfit		4
■ Straight column DP10		5
■ Demountable column with clip fastening DP21		6
■ Demountable column with central fastening DP22		7
■ Steel / bronze-plated demountable bushing DB11 DB21		8 - 9
■ Demountable flanged bushing DB31		10
■ Bronze demountable bushing with Graphite Inserts DBE1		11
■ Bushing with steel ball bearings DB41		12 - 13
■ Ball cage DC13		14
■ Installation instructions		16 - 17
■ Accessories		18

Both our standard MDL guiding components and the DIN-compatible MDL Blue Line products are equipped with our Easyfit system.

DIN COMPATIBILITY

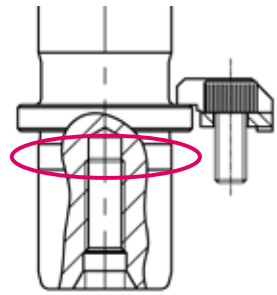
All components in the Blue Line range are compatible and interchangeable with guiding elements complying with the DIN Standard.

See Equivalence Table below:

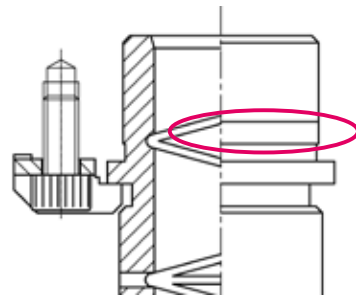
MDL Blue Line part	DIN compatibility
Straight column DP10	DIN 9825
Demountable column DP21 / DP 22	DIN 9825
Demountable bushing DB11 / DB21	DIN 9831
Demountable flanged bushing DB31	DIN 9831
Ball bearing guide bushing DB41	DIN 9831
Ball cage DC13	DIN 5401

EASYFIT SYSTEM

for columns



for bushings



The EasyFit system allows easier assembly and disassembly of columns and/or bushings while ensuring parts are perfectly perpendicular to the plate surface.

Tightening is achieved using a shoulder over a height of 5mm under the flange. Positioning is then ensured by the perpendicularity of the adjusted flange.

Our Easyfit design has been successfully used for more than 30 years by our clients worldwide over our whole MDL product portfolio. It is now compliant with DIN Standard and allows part interchangeability.

DIN 9825 compatible

For use with

Steel bushing
Bronze-plated bushing

Demountable bushing
Ball cage

Examples

Example
 Column D1=30 - L=160
 Please indicate :
 DP10.030.160

Tempered case-hardened steel columns with a hardness of 60-64HRC, with Easyfit system.

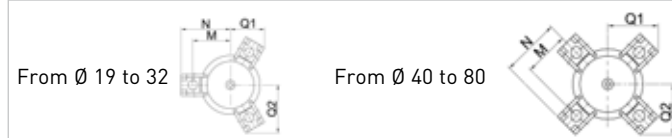
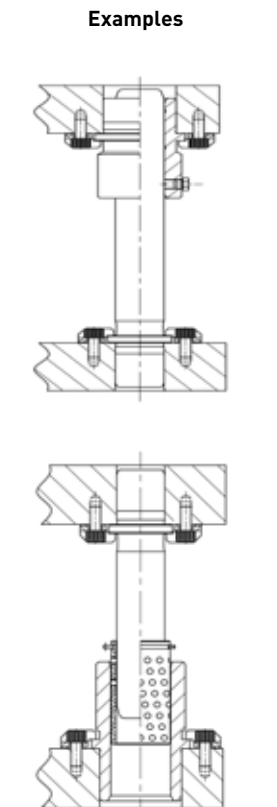
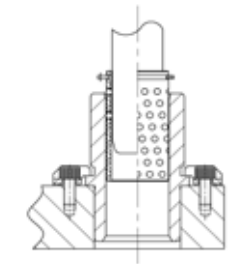
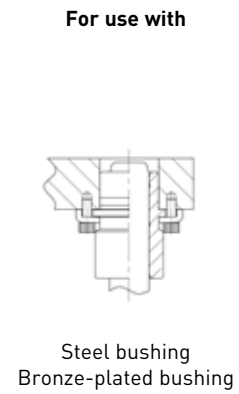
D ₁ h ⁴	19	20	24	25	30	32	40	50	63	80
d	M8		M8		M8		M8	M8	M8	M8
m	4		6		6		6	8	8	8
L	REFERENCE									
100	DP10.019.100	DP10.020.100	DP10.024.100	DP10.025.100						
112	DP10.019.112	DP10.020.112	DP10.024.112	DP10.025.112						
125	DP10.019.125	DP10.020.125	DP10.024.125	DP10.025.125	DP10.030.125	DP10.032.125				
140	DP10.019.140	DP10.020.140	DP10.024.140	DP10.025.140	DP10.030.140	DP10.032.140				
160	DP10.019.160	DP10.020.160	DP10.024.160	DP10.025.160	DP10.030.160	DP10.032.160	DP10.040.160			
180	DP10.019.180	DP10.020.180	DP10.024.180	DP10.025.180	DP10.030.180	DP10.032.180	DP10.040.180	DP10.050.180		
200	DP10.019.200	DP10.020.200	DP10.024.200	DP10.025.200	DP10.030.200	DP10.032.200	DP10.040.200	DP10.050.200		
224	DP10.019.224	DP10.020.224	DP10.024.224	DP10.025.224	DP10.030.224	DP10.032.224	DP10.040.224	DP10.050.224		
250			DP10.024.250	DP10.025.250	DP10.030.250	DP10.032.250	DP10.040.250	DP10.050.250	DP10.063.250	
280			DP10.024.280	DP10.025.280	DP10.030.280	DP10.032.280	DP10.040.280	DP10.050.280	DP10.063.280	DP10.080.280
315					DP10.030.315	DP10.032.315	DP10.040.315	DP10.050.315	DP10.063.315	DP10.080.315
355							DP10.040.355	DP10.050.355	DP10.063.355	DP10.080.355
400							DP10.040.400	DP10.050.400	DP10.063.400	DP10.080.400
450								DP10.050.450	DP10.063.450	DP10.080.450
500								DP10.050.500	DP10.063.500	DP10.080.500



DIN 9825 compatible

Example

Column D1=30 - F=160
Please state:
DP21.030.160



Tempered case-hardened steel columns with a hardness of 60-64HRC, with Easyfit system.
Come with fastening clamp and screws. Quote D1h³ is available upon request.

D1 h ⁴ =D2 j ⁶	19	20	24	25	30	32	40	50	63	80
D ₃	25		32		40		50	63	76	95
E	20		25		32		40	45	50	60
d	M8		M8		M8		M8	M8	M8	M12
m	6		8		8		8	8	8	8
Qty. clamp	3		3		3		4	4	4	4
Ref. clamp	B02.006.100									
Screw	A05.006.012									
M	18		21,5		25,5		30,5	37	45,5	53
N	25,9		29,4		33,4		38,4	44,9	53,4	60,9
Q1	19,2		21		23		32,3	36,9	43,4	48,2
Q2	26,1		29,1		32,6		32,3	36,9	43,4	48,2
T	10									
F	REFERENCES									
100	DP21.019.100	DP21.020.100	DP21.024.100	DP21.025.100						
112	DP21.019.112	DP21.020.112	DP21.024.112	DP21.025.112	DP21.030.112	DP21.032.112				
125	DP21.019.125	DP21.020.125	DP21.024.125	DP21.025.125	DP21.030.125	DP21.032.125	DP21.040.125			
140	DP21.019.140	DP21.020.140	DP21.024.140	DP21.025.140	DP21.030.140	DP21.032.140	DP21.040.140	DP21.050.140		
160	DP21.019.160	DP21.020.160	DP21.024.160	DP21.025.160	DP21.030.160	DP21.032.160	DP21.040.160	DP21.050.160	DP21.063.160	
180	DP21.019.180	DP21.020.180	DP21.024.180	DP21.025.180	DP21.030.180	DP21.032.180	DP21.040.180	DP21.050.180	DP21.063.180	
200	DP21.019.200	DP21.020.200	DP21.024.200	DP21.025.200	DP21.030.200	DP21.032.200	DP21.040.200	DP21.050.200	DP21.063.200	DP21.080.200
224			DP21.024.224	DP21.025.224	DP21.030.224	DP21.032.224	DP21.040.224	DP21.050.224	DP21.063.224	DP21.080.224
250			DP21.024.250	DP21.025.250	DP21.030.250	DP21.032.250	DP21.040.250	DP21.050.250	DP21.063.250	DP21.080.250
280					DP21.030.280	DP21.032.280	DP21.040.280	DP21.050.280	DP21.063.280	DP21.080.280
315					DP21.030.315*	DP21.032.315*	DP21.040.315	DP21.050.315	DP21.063.315	DP21.080.315
355								DP21.050.355	DP21.063.355	DP21.080.355
400								DP21.040.400*	DP21.063.400*	DP21.080.400

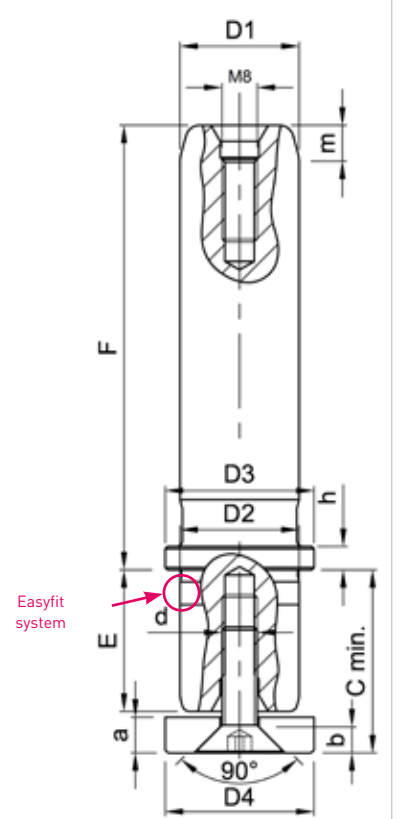
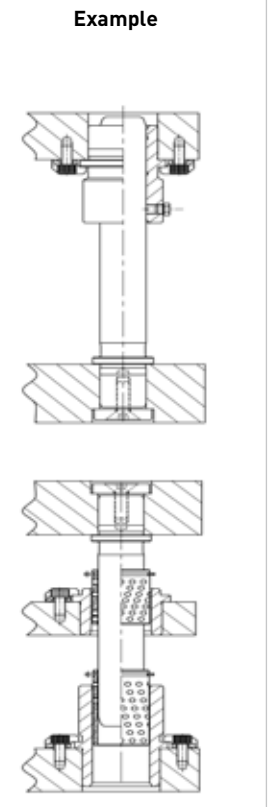
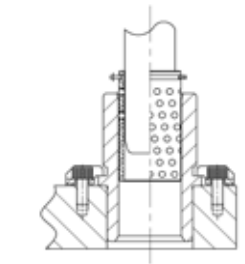
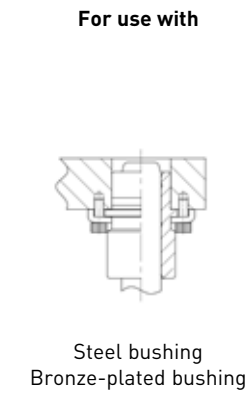
DP21.xxx.xxx* : Delivery Upon Request



DIN 9825 compatible

Example

Column D1=30 - F=160
Please state:
DP22.030.160



Tempered case-hardened steel columns with a hardness of 60-64HRC, with Easyfit system.
Come with washer and screw. Quote D1h³ is available upon request.

D1 h ⁴ =D2 j ⁶	19	20	24	25	30	32	40	50	63	80
D ₃	25		32		40		50	63	80	93
D ₄	25		32		40		50	60	70	93
E	20		25		32		40	45	50	60
d	M8		M8		M8		M8	M8	M8	M12
m	6		8		8		8	8	8	8
a	6		6		6		6	6	6	12
b	4,3		4,3		4,3		4,3	4,3	4,3	6,3
Cmin	26		31		38		46	51	56	72
Washer	P02.020.100		P02.025.100		P02.032.100		P02.040.100	P02.050.100	P02.063.100	P02.080.100
Vis	A09.008.020									
h	6									
F	REFERENCES									
100	DP22.019.100	DP22.020.100	DP22.024.100	DP22.025.100						
112	DP22.019.112	DP22.020.112	DP22.024.112	DP22.025.112	DP22.030.112	DP22.032.112				
125	DP22.019.125	DP22.020.125	DP22.024.125	DP22.025.125	DP22.030.125	DP22.032.125	DP22.040.125			
140	DP22.019.140	DP22.020.140	DP22.024.140	DP22.025.140	DP22.030.140	DP22.032.140	DP22.040.140	DP22.050.140		
160	DP22.019.160	DP22.020.160	DP22.024.160	DP22.025.160	DP22.030.160	DP22.032.160	DP22.040.160	DP22.050.160	DP22.063.160	
180	DP22.019.180	DP22.020.180	DP22.024.180	DP22.025.180	DP22.030.180	DP22.032.180	DP22.040.180	DP22.050.180	DP22.063.180	
200	DP22.019.200	DP22.020.200	DP22.024.200	DP22.025.200	DP22.030.200	DP22.032.200	DP22.040.200	DP22.050.200	DP22.063.200	DP22.080.200
224			DP22.024.224	DP21.025.224	DP22.030.224	DP22.032.224	DP22.040.224	DP22.050.224	DP22.063.224	DP22.080.224
250			DP22.024.250	DP21.025.250	DP22.030.250	DP21.032.250	DP22.040.250	DP22.050.250	DP22.063.250	DP22.080.250
280					DP22.030.280	DP21.032.280	DP22.040.280	DP22.050.280	DP22.063.280	DP22.080.280
315							DP22.040.315	DP22.050.315	DP22.063.315	DP22.080.315
355								DP22.050.355	DP22.063.355	DP22.080.355
400										DP22.080.400



DIN 9831 compatible

Example

Bushing D1=40 - F=45
 Bronze-plated
 Please state:
 DB21.040.045

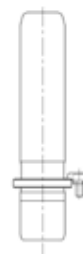
For use with



Column

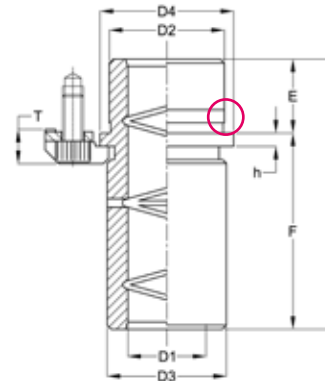


Demountable column

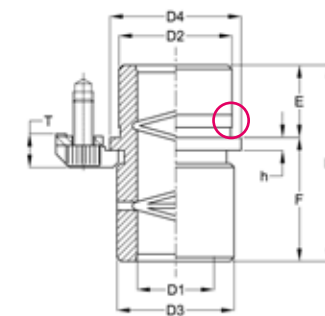


Demountable column

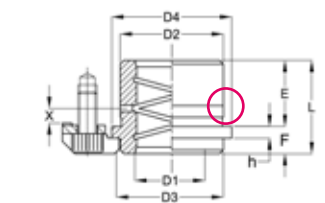
LONG SHOULDER



NORMAL SHOULDER



SHORT SHOULDER



Easyfit system

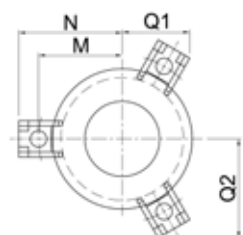
Tempered case-hardened steel bushings with a hardness of 60-64HRC, with Easyfit system, delivered with fastening clamps and screws.

Two different materials are available:

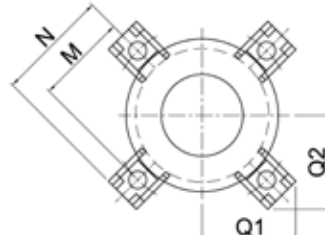
- Steel bushings: DB11 high rigidity and resistance
- Bronze-plated bushings: DB21 technology specific to the MDL group combining the rigidity of steel with the frictional coefficient of bronze

Positions of the bushing fastening clamps.

From Ø 19 to 32



From Ø 40 to 80



D1H5	19	20	24	25	30	32	40	50	63	80
D2	32		40		48		58	70	85	105
D3	39		46		53		63	77	92	115
D4	40		48		56		66	80	95	118
E	23		23		30		37	47	60	60
Qty. clamps	3		3		3		4	4	4	4
Ref. clamps	B02.006.100									
Vis	A05.006.012									
h	6									
M	26		30		33,5		38,5	45,5	53	64,5
N	33,9		37,9		41,4		46,4	53,4	60,9	72,4
Q1	23,4		25,3		27,1		38	42,9	48,2	56,3
Q2	33,1		36,5		39,6		38	42,9	48,2	56,3
T	10									

LONG SHOULDER

D1	19	20	24	25	30	32	40	50	63	80
F	36		56		63		71	80	90	90
L	59		79		93		108	127	150	150
Ref. steel	DB11.019.036	DB11.020.036	DB11.024.056	DB11.025.056	DB11.030.063	DB11.032.063	DB11.040.071	DB11.050.080	DB11.063.090	DB11.080.090
Ref. bronze-plated	DB21.019.036	DB21.020.036	DB21.024.056	DB21.025.056	DB21.030.063	DB21.032.063	DB21.040.071	DB21.050.080	DB21.063.090	DB21.080.090

NORMAL SHOULDER

D1	19	20	24	25	30	32	40	50	63	80
F	20		36		45		45	50	56	60
L	43		59		75		82	97	116	120
Ref. steel	DB11.019.020	DB11.020.020	DB11.024.036	DB11.025.036	DB11.030.045	DB11.032.045	DB11.040.045	DB11.050.050	DB11.063.056	DB11.080.060
Ref. bronze-plated	DB21.019.020	DB21.020.020	DB21.024.036	DB21.025.036	DB21.030.045	DB21.032.045	DB21.040.045	DB21.050.050	DB21.063.056	DB21.080.060

SHORT SHOULDER

D1	19	20	24	25	30	32	40	50	63	80
D3	32		40		48		58	70	85	105
F	12		12		12		15	18	20	20
L	35		35		42		52	65	80	80
Ref. steel	DB11.019.012	DB11.020.012	DB11.024.012	DB11.025.012	DB11.030.012	DB11.032.012	DB11.040.015	DB11.050.018	DB11.063.020	DB11.080.020
Ref. bronze-plated	DB21.019.012	DB21.020.012	DB21.024.012	DB21.025.012	DB21.030.012	DB21.032.012	DB21.040.015	DB21.050.018	DB21.063.020	DB21.080.020



DIN 9831 compatible

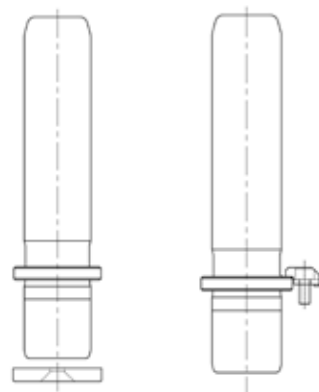
Example

Bushing D1=30 - F=62
Please state:
DB41.030.062

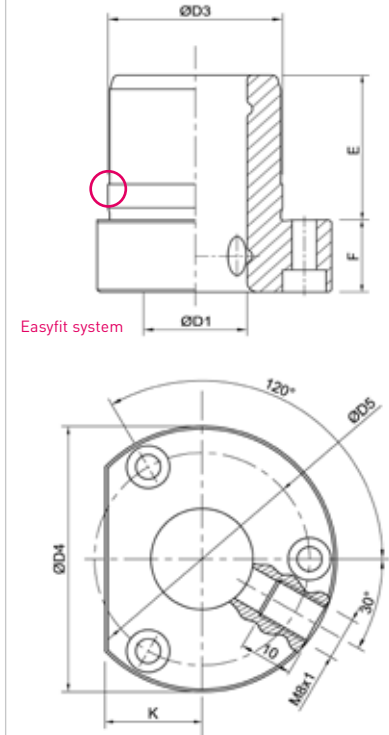
For use with



Straight column



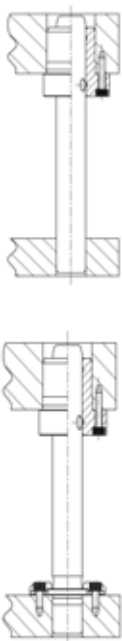
Demountable columns



Easyfit system

Tempered case-hardened steel bushings with a hardness of 60-64HRC, bronze-plated, with Easyfit system
Come with screws

Examples



D1	19	20	24	25	30	32	40	50	63
D3	32		40		48		58	70	85
D4	50		63		72		85	104	120
D5	40		50		58		70	86	100
K	18		23		28		33	38	44

LONG SHOULDER

D1	19	20	24	25	30	32	40	50	63
E	23		23		30		30	37	
F	15		15		15		25	25	
Vis	A05.004.020		A05.005.020		A05.005.020		A05.005.030	A05.005.035	
Référence	DB31.019.038	DB31.020.038	DB31.024.038	DB31.025.038	DB31.030.045	DB31.032.045	DB31.040.055	DB31.050.062	

SHORT SHOULDER

D1	19	20	24	25	30	32	40	50	63
E	30		30		37		37	47	60
F	15		25		25		30	42	42
Vis	A05.004.020		A05.005.030		A05.005.030		A05.005.035	A05.005.050	A05.008.050
Référence	DB31.019.045	DB31.020.045	DB31.024.055	DB31.025.055	DB31.030.062	DB31.032.062	DB31.040.067	DB31.050.089	DB31.063.089



DIN 9834 compatible

Material

Bronze with impregnated friction graphite inserts

Boring tolerances

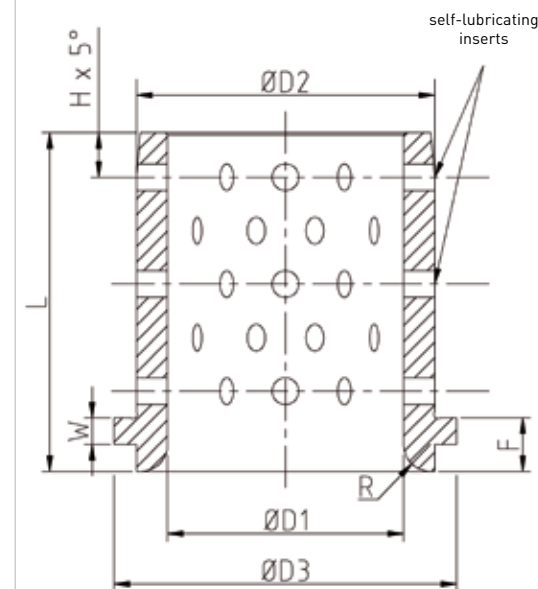
For the plate
we recommend H7

Remarks

Clamping Elements
should be ordered separately.
See accessories pages.

Example

Typ : DBEI ; D1 = 50 mm
Please state:
DBEI.050



To be mounted with clamps :
DB05.006.010 or DB05.010.016
(delivered separately) Page 18

D1 H7	24	25	30	32	40	50	63	80
REFERENCES	DBEI.024	DBEI.025	DBEI.030	DBEI.032	DBEI.040	DBEI.050	DBEI.063	DBEI.080
L	40	40	50	50	63	71	80	100
D2	32	32	40	40	50	63	80	100
D3	40	40	50	50	63	71	90	112
W	6,3	6,3	6,3	6,3	6,3	6,3	10	10
F	10	10	12	12	15	17	19	22

NOTES

.....
.....
.....
.....
.....



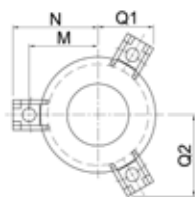
DIN 9831 compatible

Example

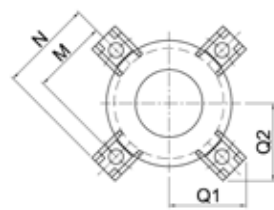
Column D1=40 - F=45
Please state:
DB41.040.045

Tempered case-hardened steel bushings with a hardness of 60-64HRC, with Easyfit system
Come with fastening clamps and screws

Positions of the bushing fastening clamps



From Ø19 to 32

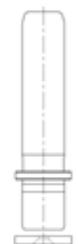


From Ø40 to 63

For use with



Column

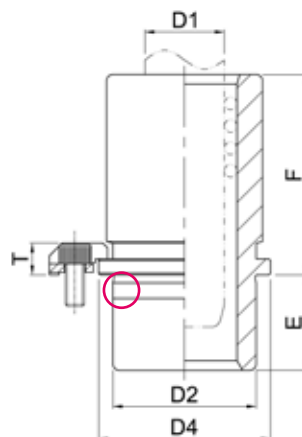


Demountable column

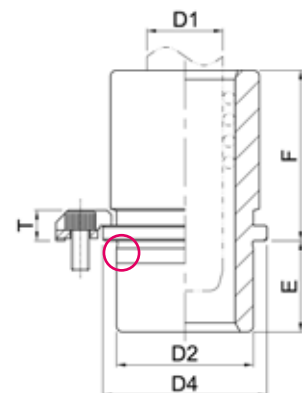


Demountable column

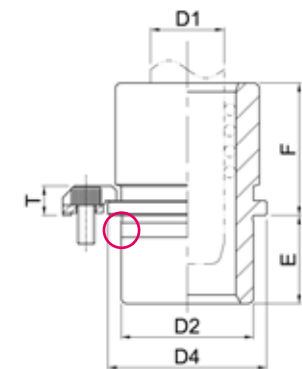
EXTRA LONG SHOULDER



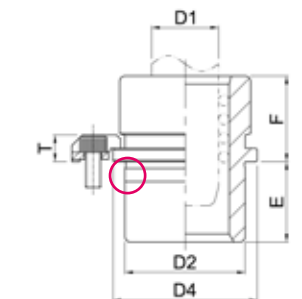
LONG SHOULDER



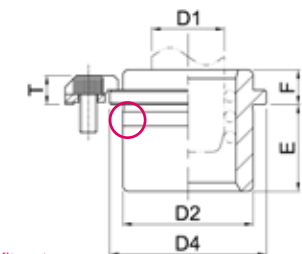
NORMAL SHOULDER



SHORT SHOULDER



EXTRA-SHORT SHOULDER



Easyfit system

D ₁	19	20	24	25	30	32	40	50	63	80
D ₂	32		40		48		58	70	85	105
D ₃	39		46		53		63	77	92	111
D ₄	40		48		56		66	80	95	118
Qty. clamps	3		3		3		4	4	4	4
Ref. clamps	B02.006.100									
Vis	A05.006.012									
M	26		30		33,5		38,5	45,5	53	64,5
N	33,9		37,9		41,4		46,4	53,4	60,9	72,4
Q1	23,4		25,3		27,1		38	42,9	48,2	56,3
56,3	33,1		36,5		39,6		38	42,9	48,2	56,3
T	10									

EXTRA LONG SHOULDER										
D ₁	19	20	24	25	30	32	40	50	63	80
E	23		23		30		37	47	60	60
F	36		56		63		71	80	90	90
L=E+F	59		79		93		108	127	150	150
REFERENCE	DB41.019.036	DB41.020.036	DB41.024.056	DB41.025.056	DB41.030.063	DB41.032.063	DB41.040.071	DB41.050.080	DB41.063.090	DB41.080.090

LONG SHOULDER										
D ₁	19	20	24	25	30	32	40	50	63	80
E			30		37		47	60		
F			50		56		63	71		
L=E+F			80		93		110	131		
REFERENCE			DB41.024.050	DB41.025.050	DB41.030.056	DB41.032.056	DB41.040.063	DB41.050.071		

NORMAL SHOULDER										
D ₁	19	20	24	25	30	32	40	50	63	80
E	23		23		30		37	47	60	60
60	20		36		45		45	50	56	60
L=E+F	43		59		75		82	97	116	120
REFERENCE	DB41.019.020	DB41.020.020	DB41.024.036	DB41.025.036	DB41.030.045	DB41.032.045	DB41.040.045	DB41.050.050	DB41.063.056	DB41.080.060

SHORT SHOULDER										
D ₁	19	20	24	25	30	32	40	50	63	80
E			30		37		47	60		
F			25		32		32	36		
L=E+F			55		69		79	96		
REFERENCE			DB41.024.025	DB41.025.025	DB41.030.032	DB41.032.032	DB41.040.032	DB41.050.036		

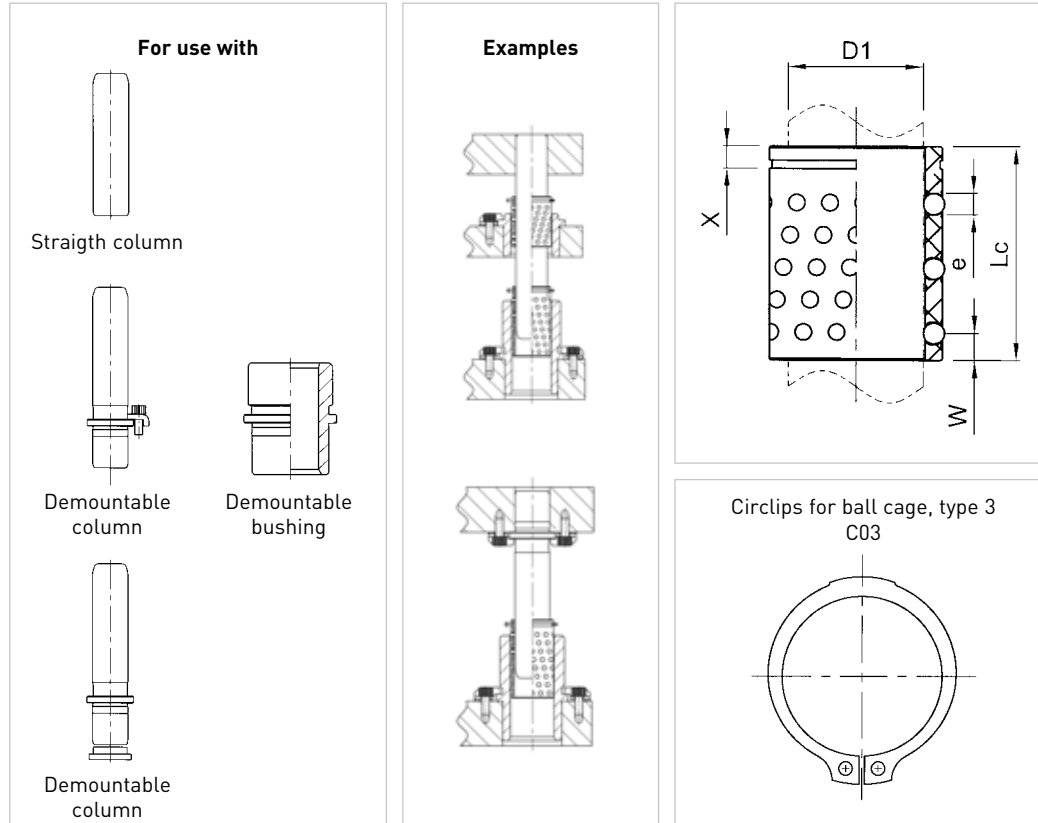
EXTRA-SHORT SHOULDER										
D ₁	19	20	24	25	30	32	40	50	63	80
E	23		23		30		37	47	60	60
F	12		12		12		15	18	20	20
L=E+F	35		35		42		52	65	80	80
REFERENCE	DB41.019.012	DB41.020.012	DB41.024.012	DB41.025.012	DB41.030.012	DB41.032.012	DB41.040.015	DB41.050.018	DB41.063.020	DB41.080.020



DIN 5401 compatible

Example

Cage D1=30 - Lc=70
Please state:
DC13.030.070

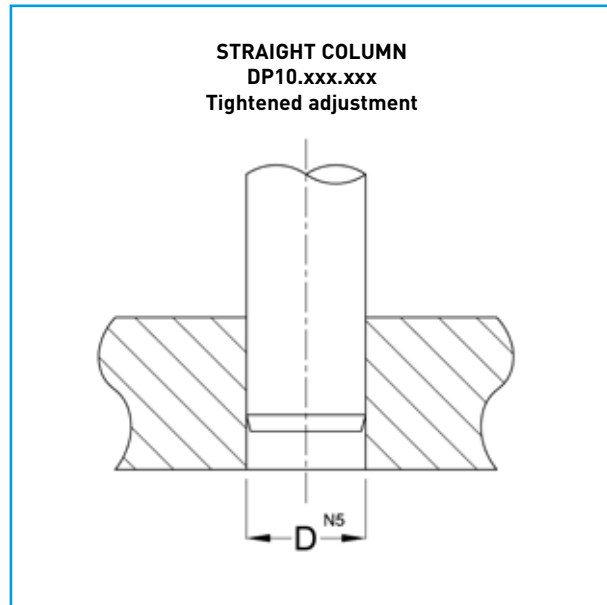


Ball cage built of monobloc aluminium alloy, processed, aircraft grade
Ball cages come with circlips

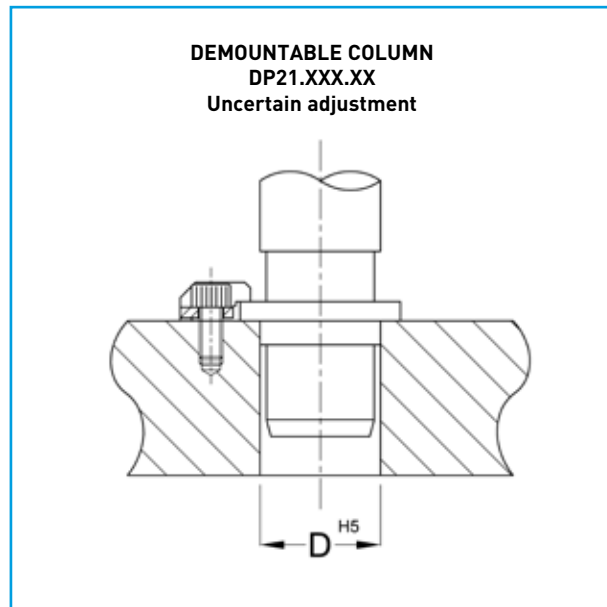
D1	19	20	24	25	30	32	40	50	63	80
Lc	REFERENCES									
32	DC13.019.032	DC13.020.032								
40						DC13.032.040				
44	DC13.019.044	DC13.020.044	DC13.024.044	DC13.025.044						
45						DC13.032.045				
50						DC13.032.050				
55					DC13.030.055	DC13.032.055				
56	DC13.019.056	DC13.020.056	DC13.024.056	DC13.025.056						
65							DC13.040.065			
70					DC13.030.070	DC13.032.070				
72	DC13.019.072	DC13.020.072	DC13.024.072	DC13.025.072						
80			DC13.024.080	DC13.025.080	DC13.030.080	DC13.032.080	DC13.040.080	DC13.050.080		
95	DC13.019.095*	DC13.020.095*			DC13.030.095	DC13.032.095	DC13.040.095	DC13.050.095	DC13.063.095	
96			DC13.024.096	DC13.025.096						
105					DC13.030.105	DC13.032.105	DC13.040.105	DC13.050.105	DC13.063.105	
120			DC13.024.120*	DC13.025.120*	DC13.030.120	DC13.032.120	DC13.040.120	DC13.050.120	DC13.063.120	DC13.080.120
140						DC13.032.140*	DC13.040.140	DC13.050.140	DC13.063.140	DC13.080.140
160						DC13.032.160*	DC13.040.160*	DC13.050.160	DC13.063.160	DC13.080.160
180								DC13.050.180*	DC13.063.180	DC13.080.180
										DC13.080.200
										DC13.080.240
X	2,9		3,2		4		4	4,3	4,8	6,2
e	3		3		4	4	4	4	4	6

Delivery Upon Request

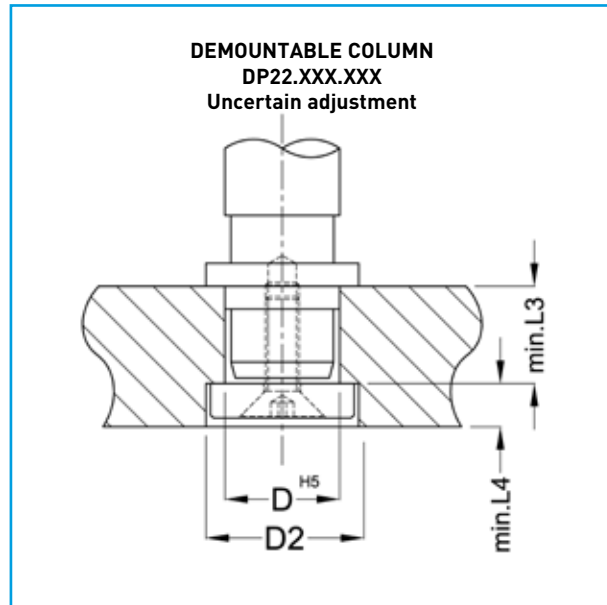
Notes section with horizontal dashed lines for writing.



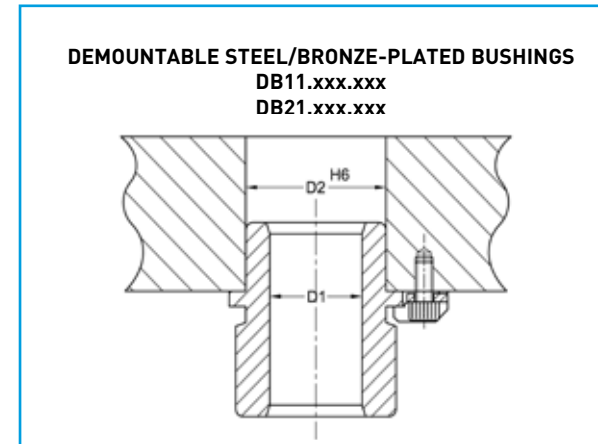
Column diameter D ₁	Bore diameter D ^{N5}	
19/20	19/20	-0,012 -0,021
24/25	24/25	-0,012 -0,021
30/32	30/32	-0,013 -0,024
40	40	-0,013 -0,024
50	50	-0,013 -0,024
63	63	-0,015 -0,028
80	80	-0,015 -0,028



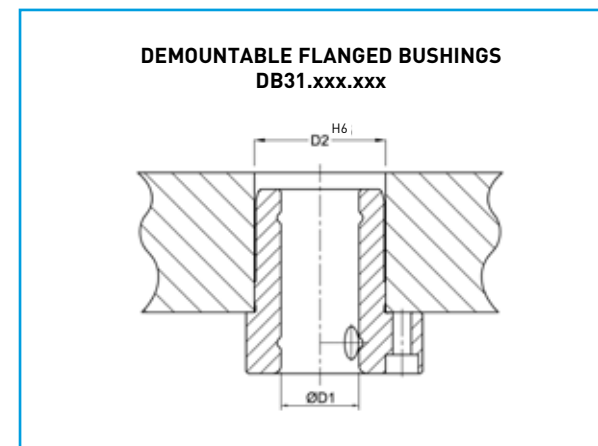
Column diameter D ₁	Bore diameter D ^{H5}		Adjustment Mini Maxi	
19/20	+0,003 -0,003	19/20	+0,009 0	+0,012 -0,003
24/25	+0,003 -0,003	24/25	+0,009 0	+0,012 -0,003
30/32	+0,003 -0,003	30/32	+0,011 0	+0,014 -0,003
40	+0,003 -0,003	40	+0,011 0	+0,014 -0,003
50	+0,003 -0,003	50	+0,011 0	+0,014 -0,003
63	+0,003 -0,003	63	+0,013 0	+0,016 -0,003
80	+0,003 -0,003	80	+0,013 0	+0,016 -0,003



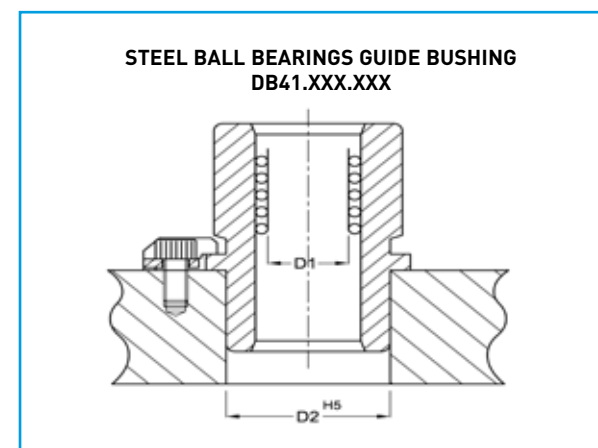
Column diameter D ₁	Bore diameter D ^{H5}		D ₂	L ₃	L ₄	
19/20	+0,003 -0,003	19/20	+0,009 0	27	23,5	6,5
24/25	+0,003 -0,003	24/25	+0,009 0	34	30,5	6,5
30/32	+0,003 -0,003	30/32	+0,011 0	42	37,5	6,5
40	+0,003 -0,003	40	+0,011 0	52	37,5	6,5
50	+0,003 -0,003	50	+0,011 0	62	47,5	6,5
63	+0,003 -0,003	63	+0,013 0	72	47,5	6,5
80	+0,003 -0,003	80	+0,013 0	95	60,5	12,5



Nominal diameter D ₁	Bushing diameter D ₂	Bore diameter D ₂ H ₆	Adjustment Mini Maxi	
19/20	32	+0,003 -0,003	32 +0,016 +0,000	+0,019 -0,003
24/25	40	+0,003 -0,003	40 +0,016 +0,000	+0,019 -0,003
30/32	48	+0,003 -0,003	48 +0,016 +0,000	+0,019 -0,003
40	58	+0,003 -0,003	58 +0,019 +0,000	+0,022 -0,003
50	70	+0,003 -0,003	70 +0,019 +0,000	+0,022 -0,003
63	85	+0,003 -0,003	85 +0,022 +0,000	+0,025 -0,003
80	105	+0,003 -0,003	105 +0,022 +0,000	+0,025 -0,003



Nominal diameter D ₁	Bushing diameter D ₂	Bore diameter D ₂ H ₆	Adjustment Mini Maxi	
19/20	32	+0,003 -0,003	32 +0,016 +0,000	+0,019 -0,003
24/25	40	+0,003 -0,003	40 +0,016 +0,000	+0,019 -0,003
30/32	48	+0,003 -0,003	48 +0,016 +0,000	+0,014 -0,003
40	58	+0,003 -0,003	58 +0,019 +0,000	+0,014 -0,003
50	70	+0,003 -0,003	70 +0,019 +0,000	+0,016 -0,003
63	85	+0,003 -0,003	85 +0,022 +0,000	+0,016 -0,003



Nominal diameter D ₁	Bushing diameter D ₂	Bore diameter D ₂ H ₅	Adjustment Mini Maxi	
19/20	32	+0,003 -0,003	32 +0,011 +0,000	+0,014 -0,003
24/25	40	+0,003 -0,003	40 +0,011 +0,000	+0,014 -0,003
30/32	48	+0,003 -0,003	48 +0,011 +0,000	+0,014 -0,003
40	58	+0,003 -0,003	58 +0,013 +0,000	+0,016 -0,003
50	70	+0,003 -0,003	70 +0,013 +0,000	+0,016 -0,003
63	85	+0,003 -0,003	85 +0,015 +0,000	+0,018 -0,003

EUROPE

MDL Europe - MDL Rodis SAS
Aire d'activité du Florival
9 rue de l'Oberwald
FR-68500 ISSENHEIM
Tél : +33 (0)3 89 74 24 24
mdl@mdl-rodiss.com

MDL PORTER BESSON SAS
Zone Eurespace
5 rue Nosières
FR-25770 SERRE LES SAPINS
Tél : +33 (0)3 81 58 95 00
porter-besson@mdl-rodiss.com

MDL Deutschland GmbH
Munzinger Strasse 1
DE-79111 FREIBURG IM BREISGAU
Tel. +49(0)761 503 127 11
mdl-verkauf@mdl-rodiss.com

BRAZIL

MDL - Maquinas Danly Ltda
Av. Prink 151
BR-CEP 18120 MAIRINQUE
Tel.+55 11 2107 0400
vendas@mdl-brasil.com.br
mdl-brasil.com.br

MEXICO

MDL DE MEXICO SA DE CV
Conjunto Victoria II
Acceso III N°52 Bodega 19
Zona Industrial Benito Juarez
MX-CEP 76120 QUERETARO
ventas@mdlmexico.com.mx
www.mdlmexico.com.mx

U.S.A.

Mold & Die Components Inc.
4572 N.Long Road
USA- COLUMBUS, IN 47203
Tel. +1 812 373-0021
sales@mdlcomponents.com
www.mdlcomponents.com

INDIA

MDL Vishal India Pvt Ltd
S.F.N°2/2, Panapatti,
Chettipalayam (Via), Palladam Road
IN- COIMBATORE 641201, Tamil Nadu
Tel : +91 (0) 42 5920 0100
sales@mdl-india.com

3D available on
www.mdl-embedded.qa.partcommunity.com

